



Contents	Page
Introduction	82
ZR Series - Guide Roll Assemblies	83
ZR SH Series - Guide Roll Assemblies with Moveable Rollers	84
RK & RK VE Series - Roller Boxes	85
RK VE SH & RK HM Series - Roller Boxes	86
RKO & RKO VK Series - Roller Crosses	87
RC Series - Roller Crosses	88
RZ Series - Concentric Guide Rollers	88
RZ PN Series - Concentric Guide Rollers	89
RM Series - Concentric Guide Rollers	90
RF Series - Guide Rolls with Rotating Adjustment	91
RP Series - Precision Roller	92
SZ Series - Single Roller Guide	92
KA Series - Calibrating Unit	92
BZ Series - Strip Roller Guide	93
AR Series - Edging Roller Unit	93
UR Series - Guide Pulleys	93

Guide Roll Assemblies

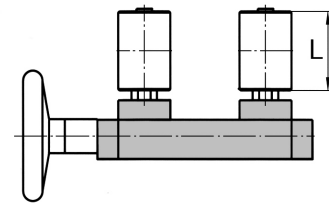
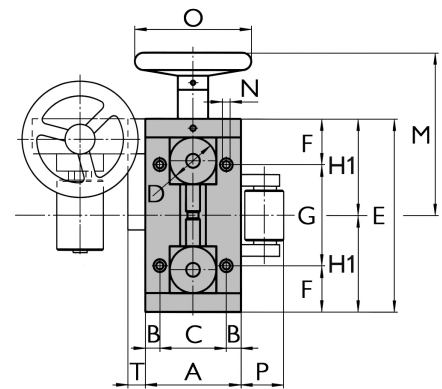
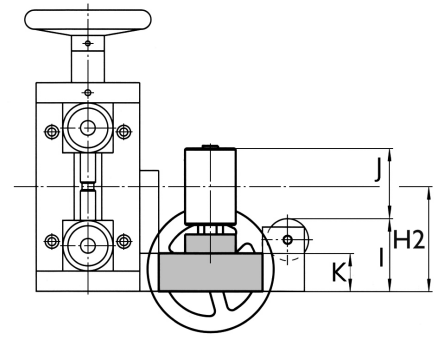
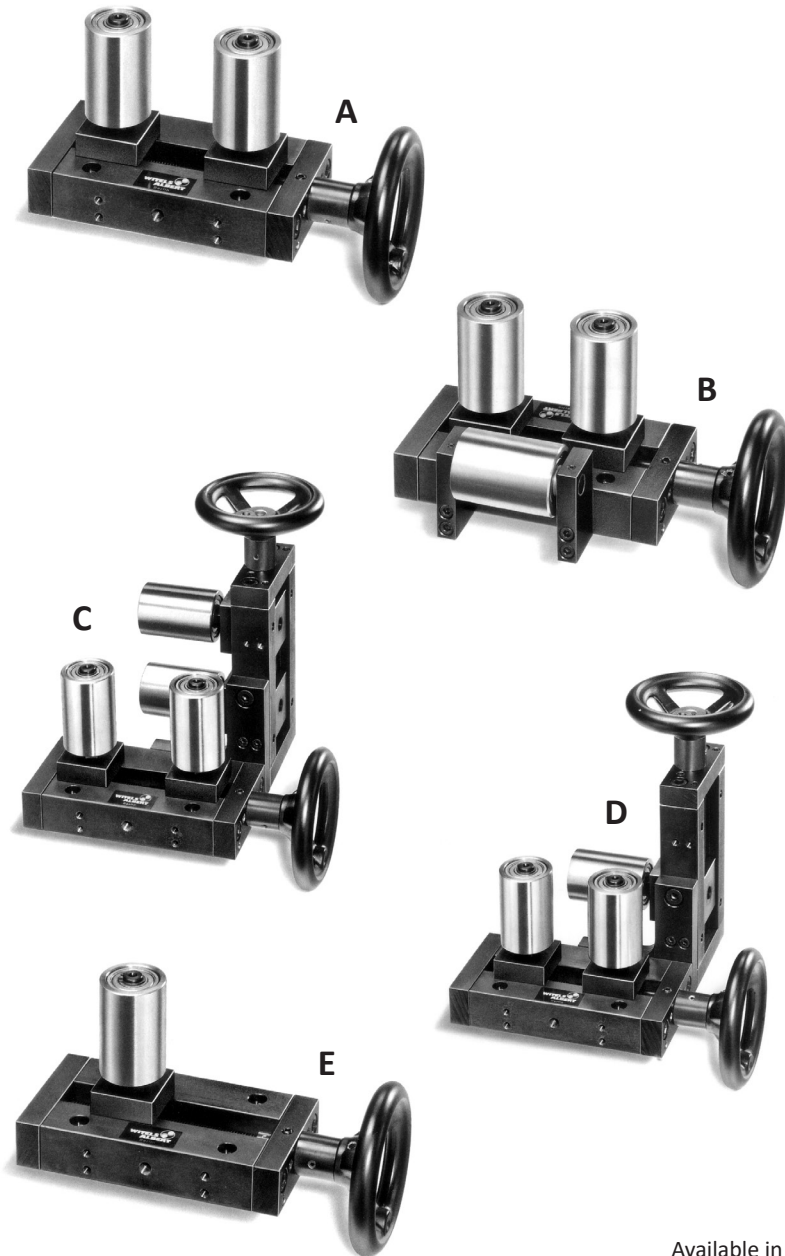
Techna offer a wide range of assemblies for guiding wire, strip, cable, tube and rope through production lines and processes.

Our Guide Roll Assemblies are available in a variety of configurations, offering flexible solutions and covering virtually every possible material guiding need. From simple,

non-adjustable roller crosses to heavy duty, concentrically adjustable guiding units we can supply assemblies to cover diameters up to 500mm. Designs include adjustable rollers for precise directing, quick release designs for ease of material release and setup and calibrating units for adjusting the profile of materials.



ZR - Guide Roll Assemblies



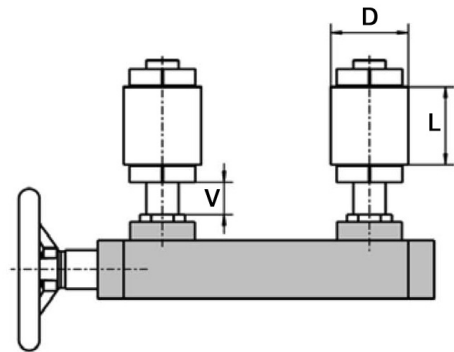
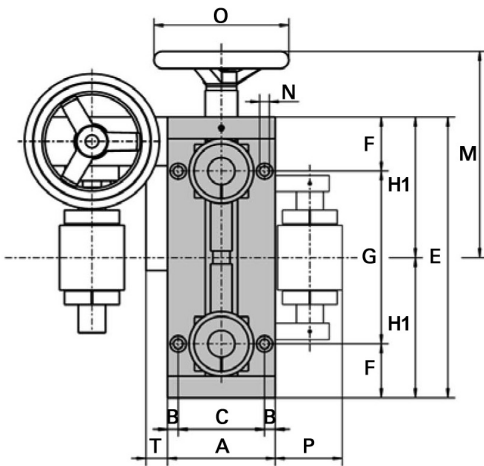
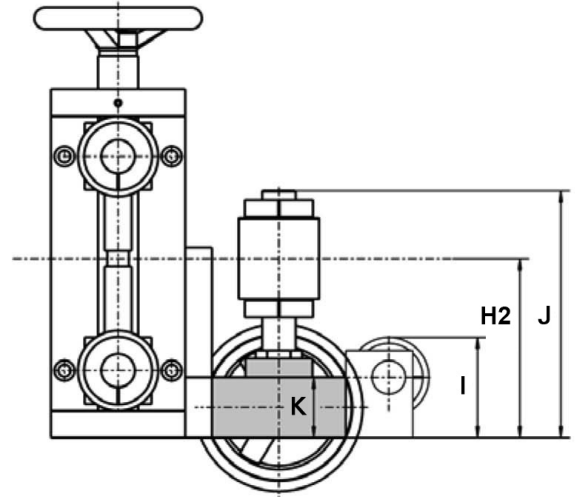
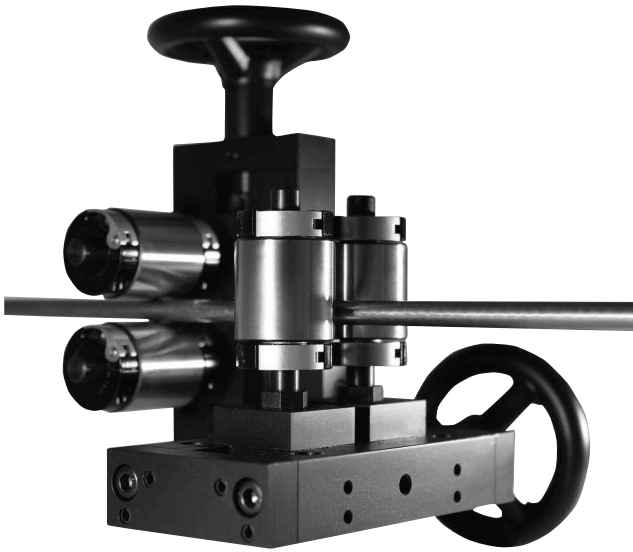
Available in a variety of configurations to suit your process needs*.

ZR Series	Wire Diameter Ranges (mm) ϕ					
	0 - 6	0 - 12	6 - 50	10 - 100	20 - 160	50 - 250
Order Ref.	ZR 6	ZR 12	ZR 50	ZR 100	ZR 160	ZR 250
A	38	50	82	100	120	160
B	4.5	6	12.5	10	15	17.5
C	29	38	57	80	90	125
D	17	25	40	60	80	100
E	60	85	165	260	370	540
F	20	20	36	50	50	75
G	20	45	93	160	270	390
H1	30	42.5	82.5	130	185	270
H2	30	42.5	82.5	130	185	203
I	28	32.5	65	75	100	100
J	22	27	47.5	115	185	228
K	18	20	30	45	50	60
L	20	32	60	120	200	250
M	44	59.5	139.5	191	251	350
N	4.5	5.5	6.6	9	13	17
O	24	30	100	125	160	200
P	21.5	26.5	41	62	65	85
T	8	10	15	20	20	30
Kg	0.3	1	4	10	28	43

* Specify configuration A/B/C/D/E at time of ordering.

ZR SH - Guide Roll Assemblies with Moveable Rollers

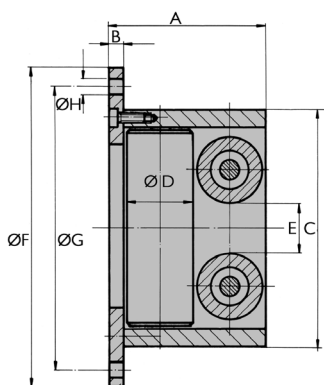
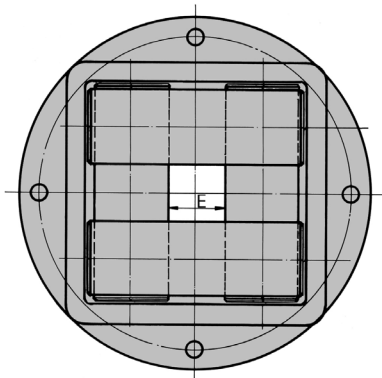
In many processes, product only makes contact with approximately 25% of the guide roll. This causes uneven wear, necessitating premature replacement of rolls where much of the surface is still usable. ZR SH Guide Roll Assemblies offer increased roll lifetime by allowing the rolls to be moved as they wear. Friction clamping rings facilitate tool-less repositioning of the rollers, enabling users to change the point of contact, utilise the entire roll surface and extend service life by up to four times.



ZR SH Series	Wire Diameter Ranges (mm) ϕ			
	6 - 50	50 - 100	100 - 160	160 - 250
Order Ref.	ZR SH 50	ZR SH 100	ZR SH 160	ZR SH 250
A	82	100	120	160
B	12.5	10	15	17.5
C	57	80	90	125
D	40	60	80	100
E	165	260	370	540
F	36	50	50	75
G	93	160	270	390
H1	82.5	130	185	270
H2	82.5	130	185	203
I	80	80	105	100
J	133	179	239	294
K	30	45	50	60
L	40	60	70	100
M	139.5	191	251	350
N	6.6	9	13	17
O	100	125	160	200
P	41	62	65	85
T	15	20	20	30
V	20	21	30	45
Kg	5	12	30	45

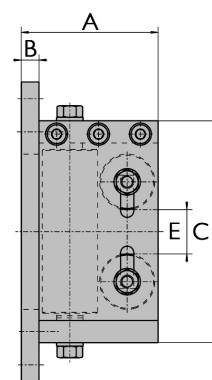
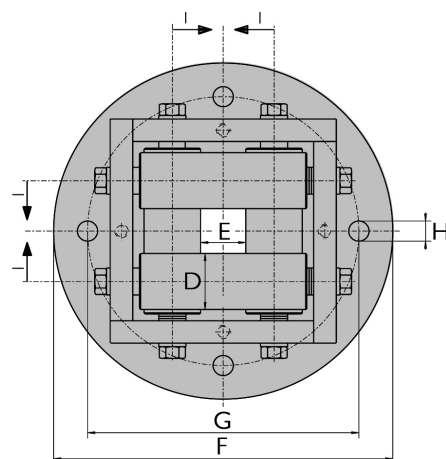
Available in a variety of configurations to suit your process needs. Refer to ZR Series for further details (see page 83).

RK - Roller Boxes with Fixed Guide Rolls



RK Series	Wire Diameter Ranges (mm) Ø			
	0.5 - 5	5 - 10	10 - 20	10 - 30
Order Ref.	RK 5	RK 10	RK 20	RK 30
A	40	62	94	137
B	6	8	8	12
C	60	100	140	220
D	16	25	38	55
E	6	20	32	75
F	85	145	190	300
G	73	120	170	265
H	5.5	9	9	13
Kg	0.75	2.9	7.9	26.1

RK VE - Roller Boxes with Adjustable Guide Rolls

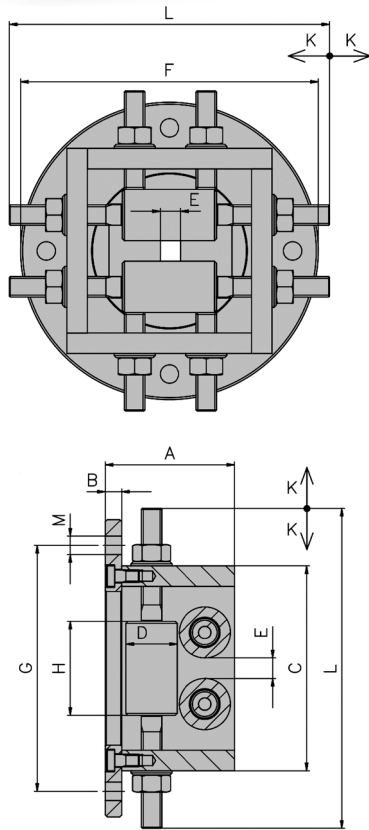
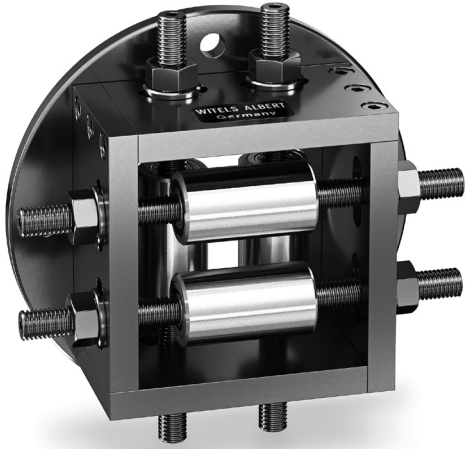


RK VE Series	Wire Diameter Ranges (mm) Ø			
	0.5 - 5	5 - 10	10 - 20	10 - 30
Order Ref.	RK 5 VE	RK 10 VE	RK 20 VE	RK 30 VE
A	41	63	94	137
B	6	8	8	12
C	60	100	140	220
D	16	25	38	55
E	8	20	39	75
F	85	145	200	312
G	73	120	170	265
H	5.5	9	9	13
I	4	10	19.5	37.5
Kg	0.75	2.9	7.9	26.1

Techna GUIDE ROLL ASSEMBLIES

RK VE SH - Roller Boxes with Adjustable Guide Rolls

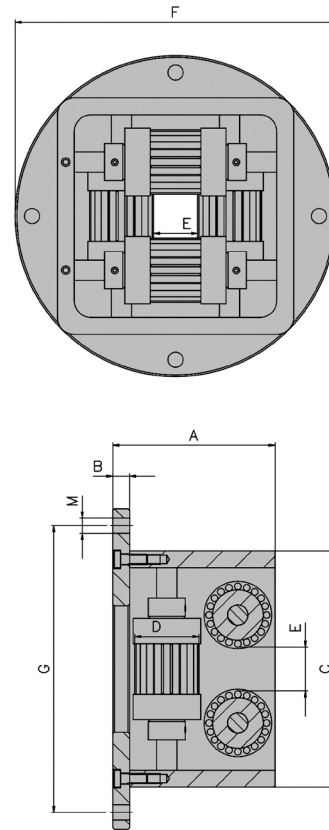
Rolls can be re-positioned to change contact patch - increasing service life.



RK VE SH Series	Wire Diameter Ranges (mm) ϕ	
	0.5 - 5	5 - 10
Order Ref.	RK 5 VE SH	RK 10 VE SH
A	41	63
B	6	8
C	60	100
D	16	25
E	0 - 12	0 - 25
F	85	145
G	73	120
H	25	46
K	± 10	± 15
L	101	156
M	6	9
Kg	0.8	3

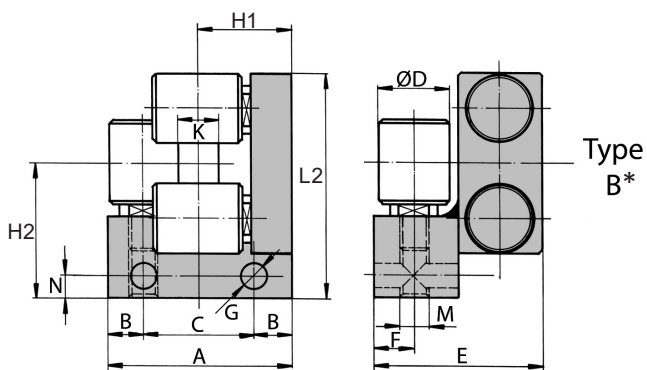
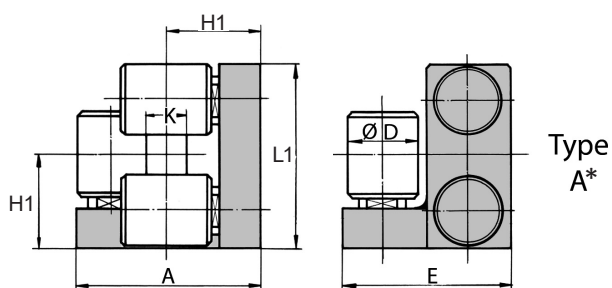
RK HM - Roller Boxes with Tungsten Carbide Rolls

For applications with high wear rate. Rolls are produced from a series of tungsten carbide bars to form their circumference. Bars can be rotated within the housing to even out wear.



RK HM Series	Wire Diameter Ranges (mm) ϕ	
	10 - 20	10 - 30
Order Ref.	RK 20 HM	RK 30 HM
A	96	137
B	10	12
C	140	220
D	38	49
E	25	42
F	190	300
G	170	265
M	9	13
Kg	8	23

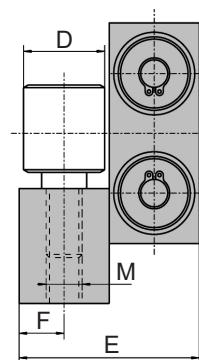
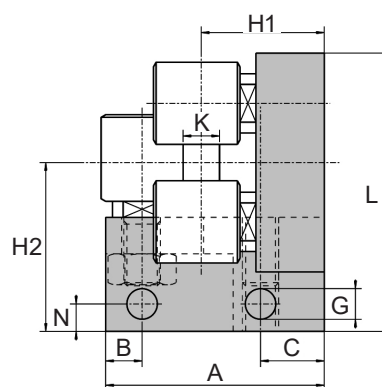
RKO - Roller Crosses with Fixed Guide Rolls



RKO Series	Wire Diameter Ranges (mm) ϕ		
	0 - 2	1 - 4	2 - 8
Order Ref.	RKO 2	RKO 4	RKO 8
A	51	68	76
B	8 / 14	14	13
C	26	40	50
D	18	25	30
E	40	60	70
F	10	15	17.5
G	6.6	8.5	8.5
H1	27	34	38
H2	37	49	58
K	8	15	20
L1	51	68	76
L2	61	83	96
M	M8	M10	M12
N	6	7	10
Kg	0.4	1.1	1.8

* Please specify Type A or B when ordering.

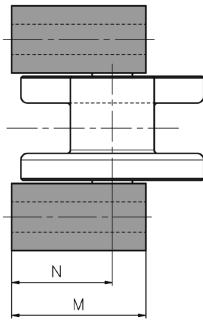
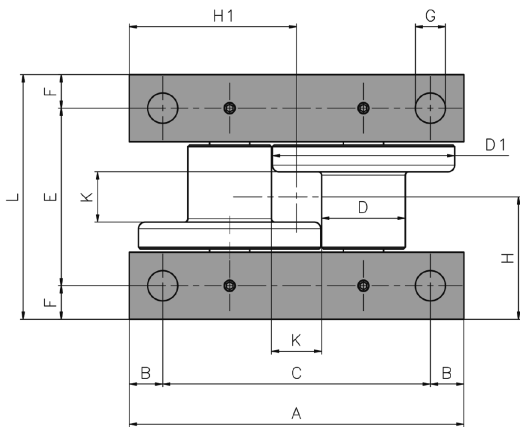
RKO VK - Roller Crosses with Adjustable Guide Rolls



RKO VK Series	Wire Diameter Ranges (mm) ϕ		
	0 - 2	1 - 4	2 - 8
Order Ref.	RKO 2 VK	RKO 4 VK	RKO 8 VK
A	48	68	76
B	8	14	13
C	14	14	13
D	18	25	30
E	40	60	70
F	10	15	17.5
G	6.6	8.5	8.5
H1	27	34	38
H2	37	49	58
K	0 - 8	0 - 15	0 - 20
L	61	83	96
M	M8	M10	M12
N	6	7	10
Kg	0.3	1	1.7

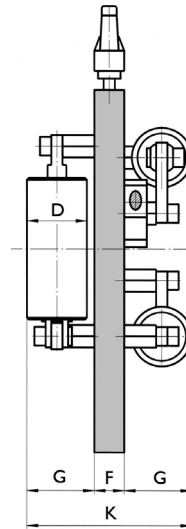
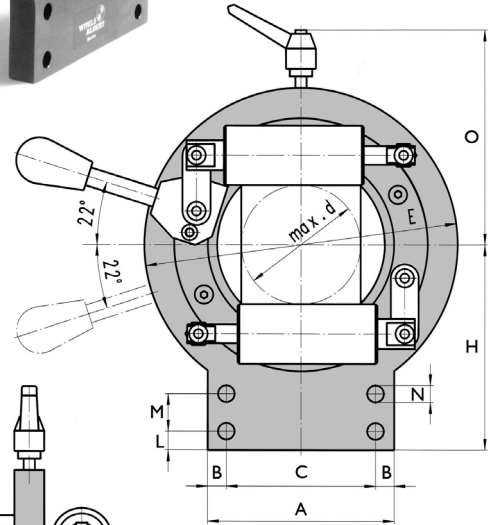
RC - Roller Crosses

Substantially more cost effective due to reduced complexity.
Reduced number of wearing parts



RC Series	Wire Diameter Ranges (mm) ϕ
	0.6 - 10
Order Ref.	RC 10
A	100
B	10
C	80
D	25
D1	54.5
E	53
F	10
G	9
H	36.5
H1	50
K	15
M	40
N	30
Kg	1.6

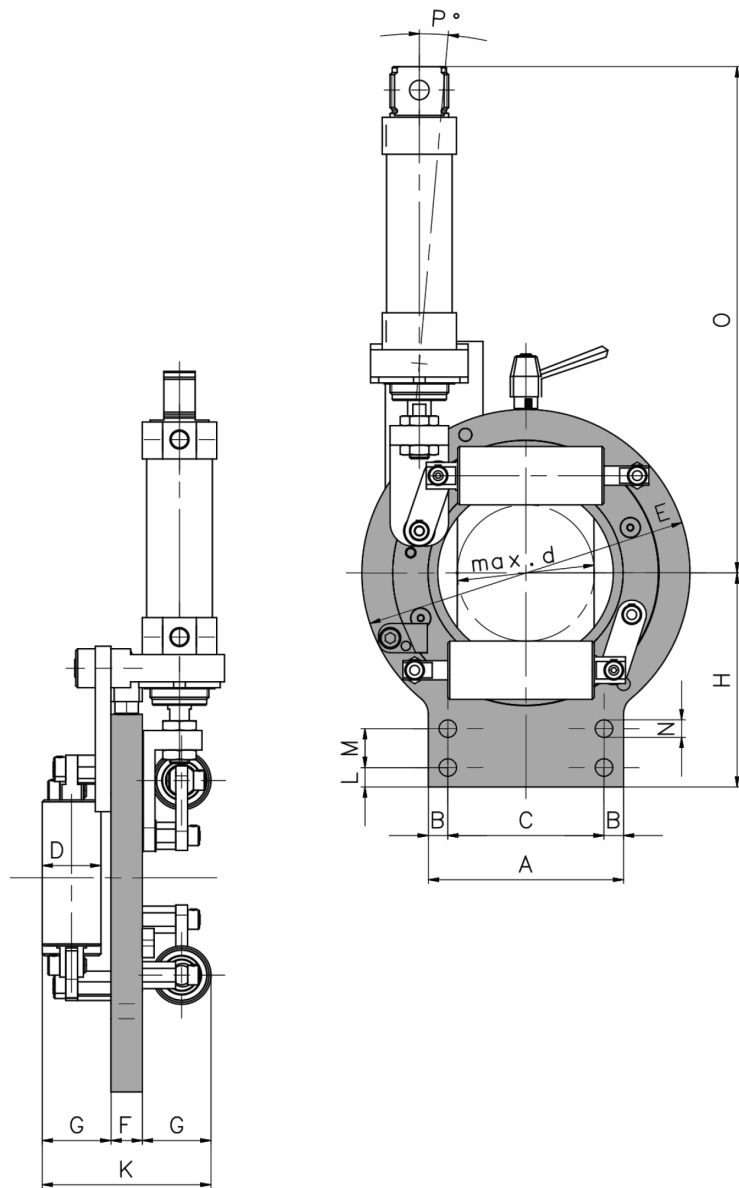
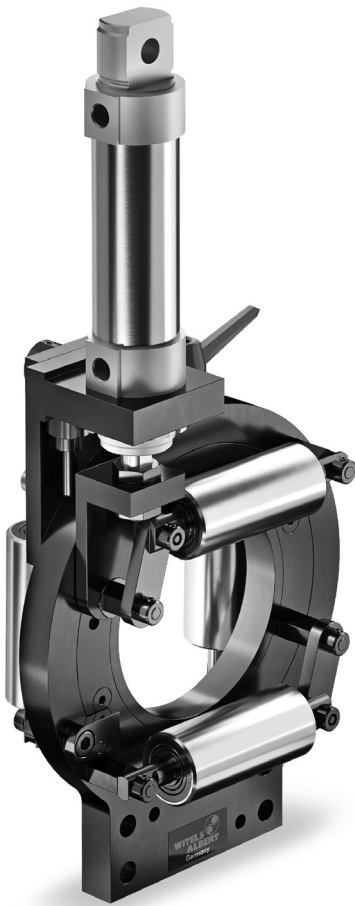
RZ - Concentric Guide Rollers



RZ Series	Wire Diameter Ranges (mm) ϕ					
	0 - 30	10 - 70	10 - 150	40 - 250	50 - 300	200 - 500
Order Ref.	RZ 30	RZ 70	RZ 150	RZ 250	RZ 300	RZ 500
A	50	100	200	315	500	730
B	7	10	20	32.5	100	165
C	36	80	160	250	300	400
D	25	30	65	100	80	90
E	88	168	360	560	500	730
F	12	16	25	40	25	25
G	26	36	66	105	90	97.5
H	55	110	220	350	350	450
K	64	88	157	250	205	220
L	7	10	15	25	30	30
M	-	20	40	63	50	50
N	5.5	9	13	22	22	22
O	65	125	260	710	350	537
Kg	1	4	30	110	90	170

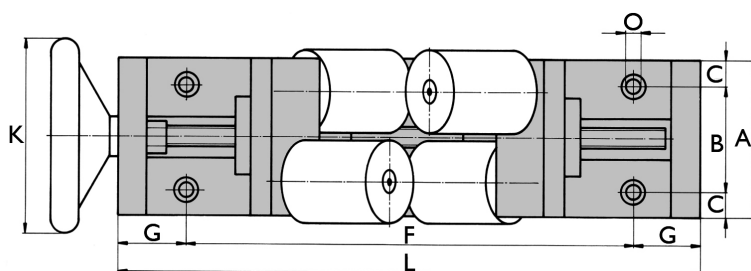
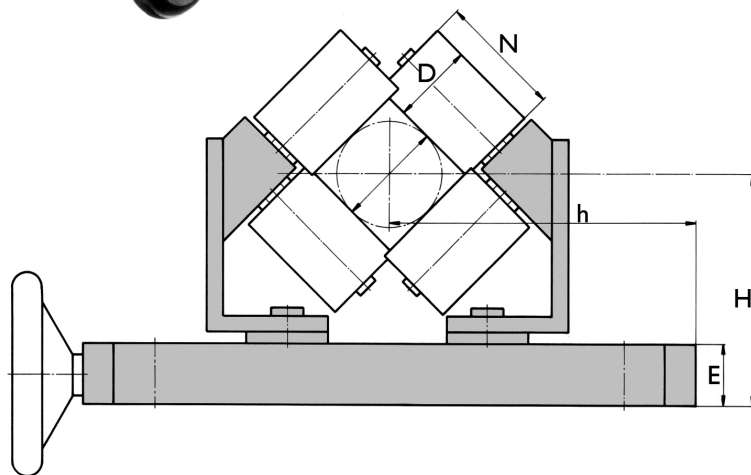
RZ PN - Concentric Guide Rollers with Pneumatic Cylinder

With double acting pneumatic cylinder to engage/disengage the rollers. Can be integrated with sensing systems to allow for opening when weld caps are identified.



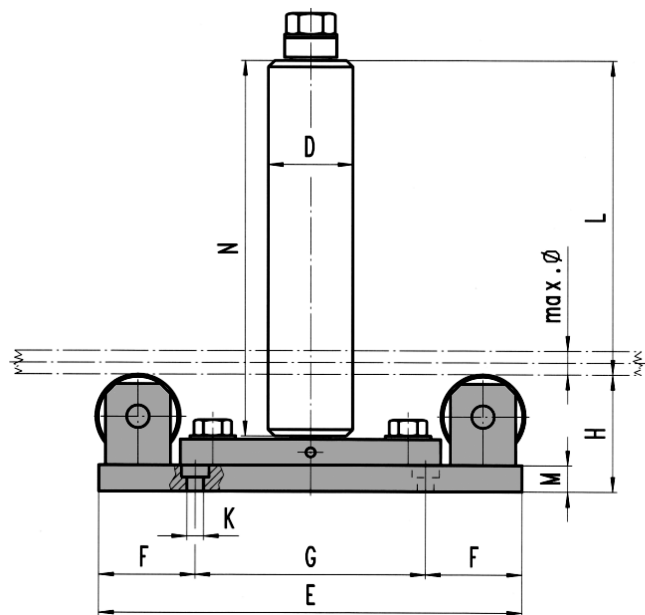
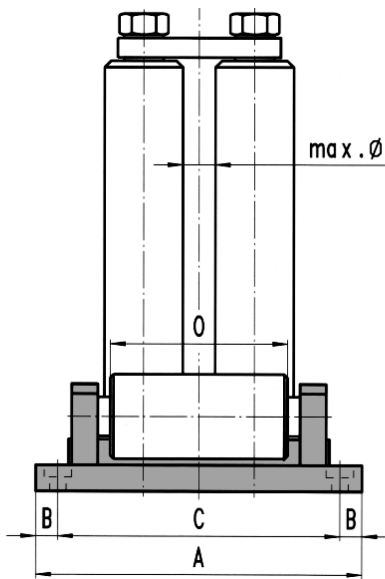
RZ PN Series	Wire Diameter Ranges (mm) ϕ					
	2 - 30	5 - 70	10 - 150	20 - 250	50 - 300	200 - 500
Order Ref.	RZ 30 PN	RZ 70 PN	RZ 150 PN	RZ 250 PN	RZ 300 PN	RZ 500 PN
A	50	100	200	315	500	730
B	7	10	20	32.5	100	165
C	36	80	160	250	300	400
D	25	30	65	100	80	90
E	88	168	360	560	500	730
F	12	16	25	40	25	25
G	26	36	66	105	90	97.5
H	55	110	220	350	350	450
K	64	88	157	250	205	220
L	7	10	15	25	30	30
M	-	20	40	63	50	50
N	5.5	9	13	22	22	22
O	198	261	505	607	627	752
P	3	3	4	4	10	11
Kg	1.5	5	35	120	90	170

RM - Concentric Guide Rollers with Quick Release



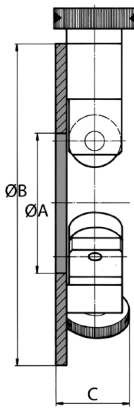
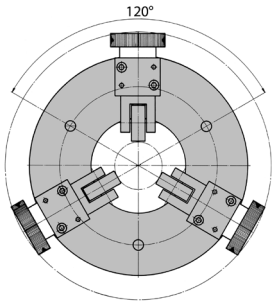
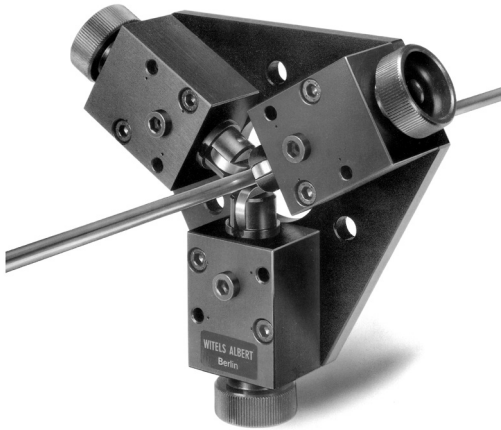
RM Series	Wire Diameter Ranges (mm) ϕ		
	1 - 12	12 - 50	40 - 100
Order Ref.	RM 12	RM 50	RM 100
A	50	82	100
B	38	57	80
C	6	12.5	10
D	25	40	60
E	20	30	45
F	85	178	300
G	20	36	50
H	77	127.5	197
h	62.5	125	200
K	30	100	125
L	125	250	400
N	32	60	120
O	5.5	6.6	9
Kg	1.6	9.3	24

RF - Guide Rolls with Rotating Adjustment



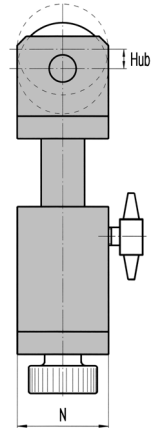
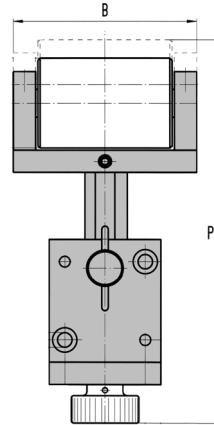
RF Series	Wire Diameter Ranges (mm) Ø					
	0 - 5	5 - 10	10 - 30	10 - 50	10 - 100	40 - 250
Order Ref.	RF 5	RF 10	RF 30	RF 50	RF 100	RF 250
A	50	100	120	160	250	450
B	7	15	20	12.5	20	25
C	36	70	80	135	210	400
D	15	25	30	50	80	100
E	72	130	170	250	410	660
F	20	45	60	70	105	130
G	32	40	50	110	200	400
H	24.5	35.5	47	67	97	130
K	5.5	6.6	6.6	13	17	25
L	70	96	160.5	223	707	937
M	8	8	12	15	20	30
N	80	115	180	250	750	1000
O	28	58	80	80	160	350
Kg	0.5	2.5	5.1	16	91	220

RP - Precision Roller with Individually Adjustable Rolls



RP Series	Wire Diameter Ranges (mm) ϕ			
	4 - 20	10 - 50	40 - 100	90 - 150
Order Ref.	RP 20	RP 50	RP 100	RP 150
A	70	110	140	240
B	135	285	332	440
C	38	51	51	87
Kg	5	5.8	6.4	8.2

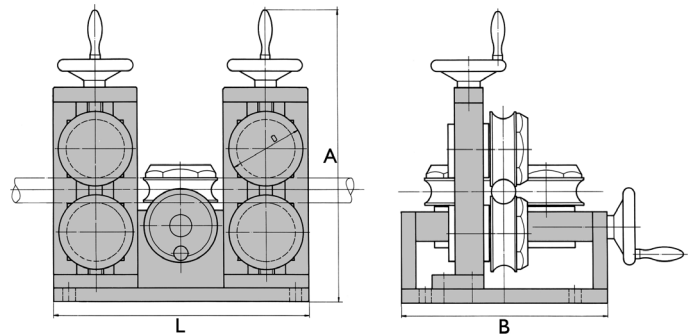
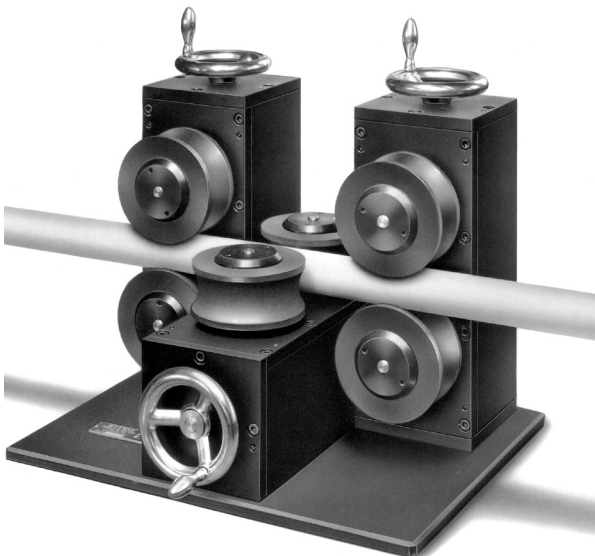
SZ - Single Roller Guide



SZ Series	Strip Width (mm) \square		
	0 - 10	0 - 60	0 - 90
Order Ref.	SZ 10	SZ 60	SZ 90
B	20	82	122
N	30	40	70
P	110 Max.	163 Max.	242 Max.
Kg	1.5	1.7	2.5
Hub	12	20	30

KA - Calibrating Unit

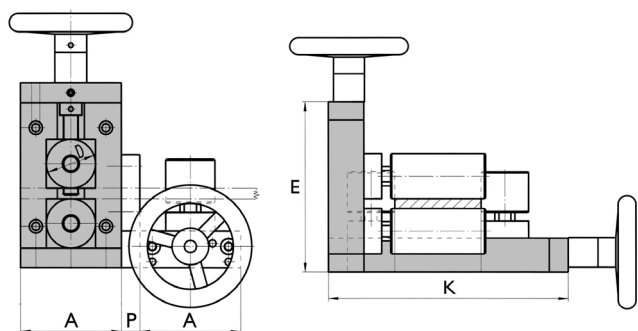
Dependent on groove profile, changes shape of material (e.g. oval material to round & vice versa).



KA Series	Wire Diameter Ranges (mm) ϕ		
	0 - 15	10 - 40	40 - 80
Order Ref.	KA 15	KA 40	KA 80
A	236	341	460
B	200	260	360
L	246	300	480
Kg	18	41	85

BZ - Strip Roller Guide

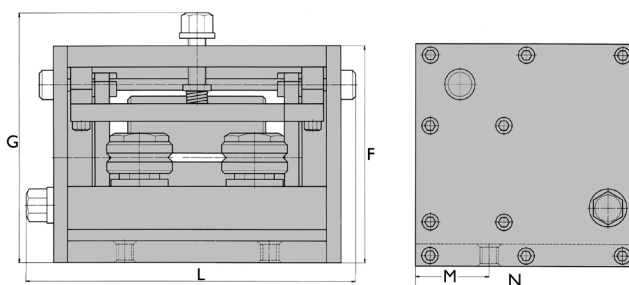
Used to precisely guide product into final required position.



BZ Series	Strip Thickness x Width (mm) □		
	0 - 1 x 80	1 - 2 x 160	2 - 4 x 300
Order Ref.	BZ 80	BZ 160	BZ 300
A	82	100	100
E	150	200	200
K	202	314	454
P	15	20	20
Kg	7.8	18	24.5

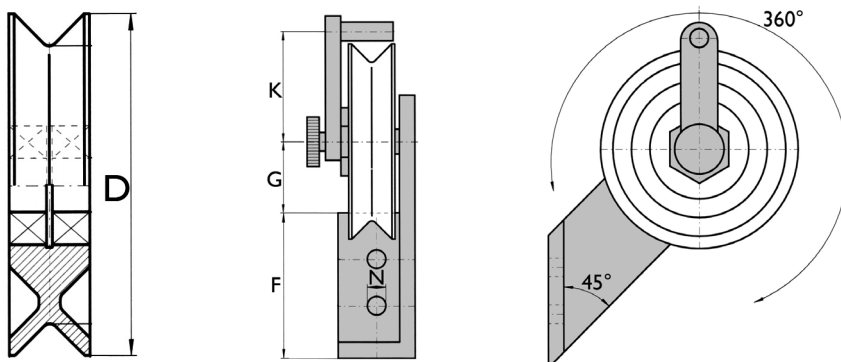
AR - Edging Roller Unit

With rollers to minimise edge bow.



AR Series	Strip Thickness x Width (mm) □	
	0 - 3.5 x 10 - 100	0 - 3.5 x 10 - 150
Order Ref.	AR 100	AR 150
F	150	150
G	178	178
L	238	288
M	50	50
N	150	150
Kg	18	22

UR - Guide Pulleys



UR Series	Wire Diameter Ranges (mm) Ø				
	0.1-2	3-4	3-6	3-8	3-10
Order Ref.	UR 30	UR 63	UR 126	UR 189	UR 252
D	30	63	126	189	252
F	32.5	47.5	78.5	97	113
G	11.5	18.5	47	65.5	89
K	19.5	37.5	70	104.5	139
N	4.5	6.5	11	13	17.5